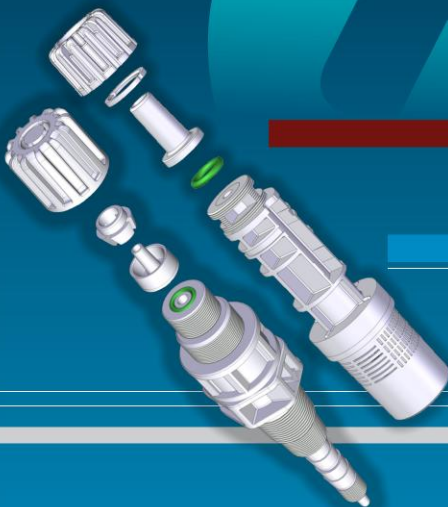


Наш сайт: VIMLEX.RU контакты: тел. 8 (800) 707-44-25 или +7 (495) 212-10-15 e-mail: info@vimlex.ru

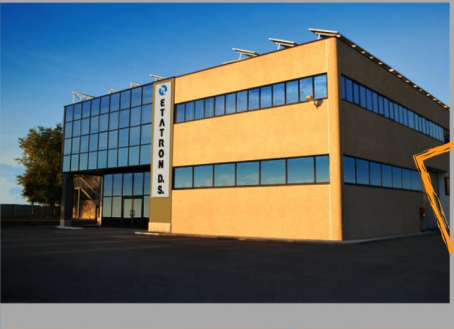
ETATRON D.S.

VIMLEX
БАССЕЙНЫ ПО ПРАВИЛАМ

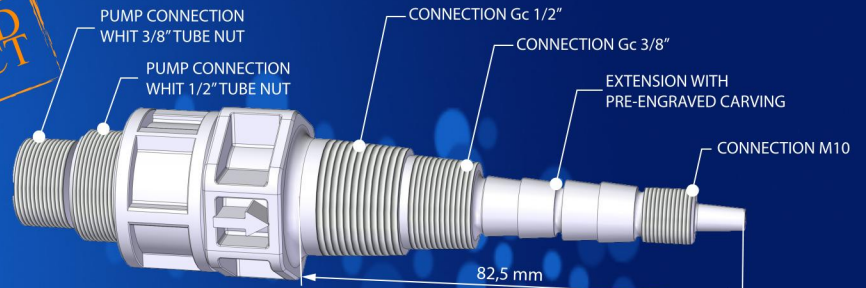
NEW



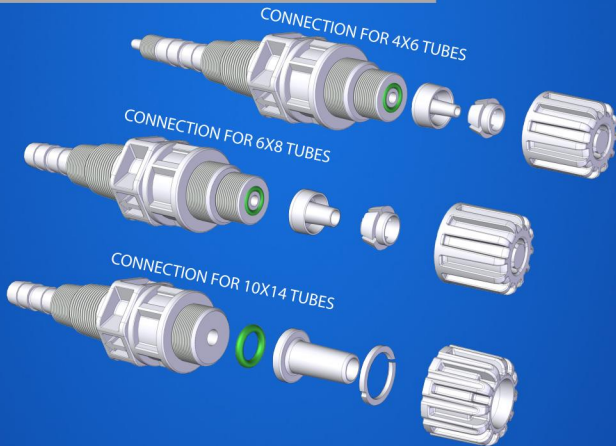
КЛАПАНА забора/впрыска реагента



PATENTED PRODUCT



Injection Valve



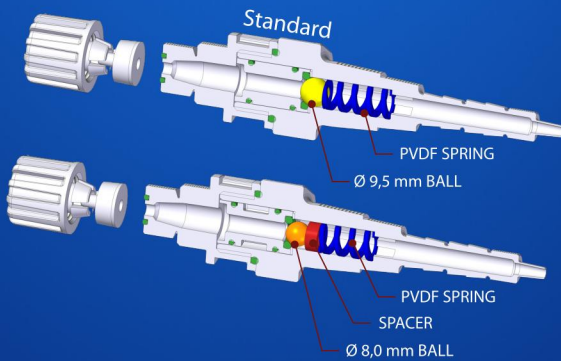
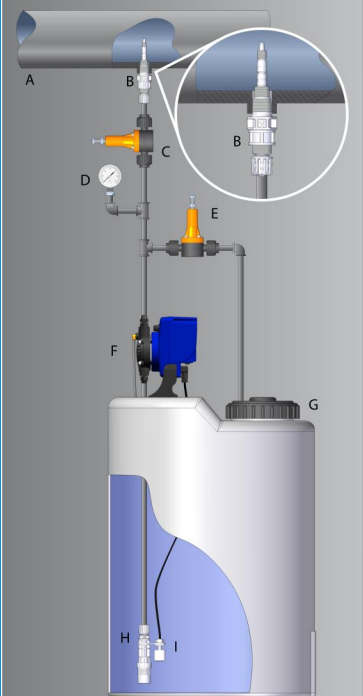
3 Setting in Just One Product



Parts Included in the Kit

Sample Installation

- A - Main Pipeline
- B - Injection Valve
- C - Backpressure Valve
- D - Pressure Gauge
- E - Relief Valve
- F - Dosing Pump
- G - Tank
- H - Foot Filter
- I - Level Switch



Valve Inside

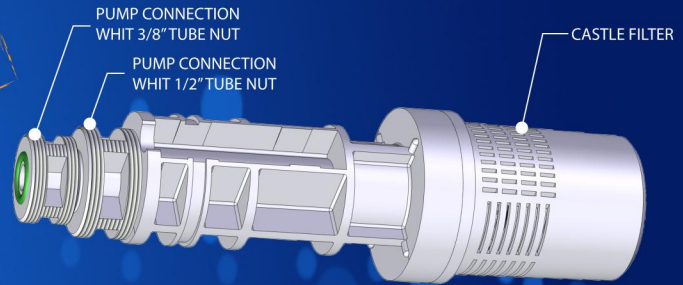
Technical Characteristics

Spring	PVDF
Ball	9,5 mm and 8,0 mm Ceramic
Counter Pressure	From to 0,7 to 1,7 bar
Material	PP, PVDF, Ceramic
Sealings	FPM, EDPM, TFE/P

**УНИВЕРСАЛЬНЫЙ КЛАПАН
ВПРЫСКА РЕАГЕНТА 2012**



**PATENTED
PRODUCT**



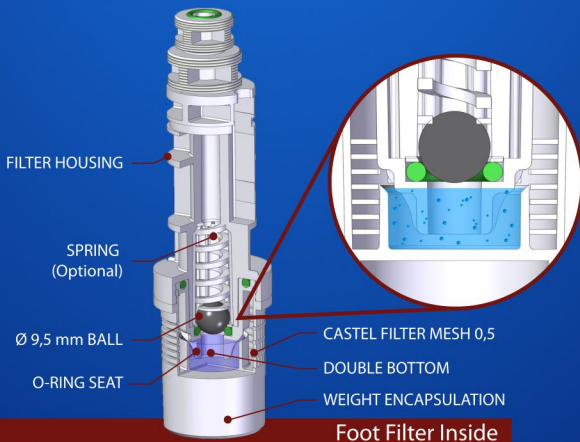
Foot Filter



3 Setting in Just One Product

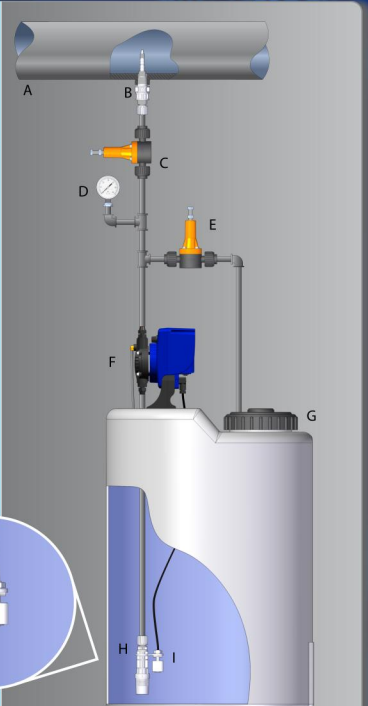
Parts Included in the Kit

Sample Installation



Foot Filter Inside

- A - Main Pipeline
- B - Injection Valve
- C - Backpressure Valve
- D - Pressure Gauge
- E - Relief Valve
- F - Dosing Pump
- G - Tank
- H - Foot Filter
- I - Level Switch



Technical Characteristics

Spring	PVDF optional for specic cases
Ball	9,5 mm Ceramic
Material	PP, PVDF, Ceramic
Sealings	FPM, EDPM, TFE/P

Printed Mesh lter for easy cleaning

**УНИВЕРСАЛЬНЫЙ КЛАПАН
ЗАБОРА РЕАГЕНТА 2012**